



TTL Sardes M3S



Luminaire type :

LED-Top or Side mounted luminaire

Pole height:

TTL M3S up to 12 m

Application areas :

ME class roads and parking lots

Product specifications	TTL M3S-90
Luminous flux	10.400 lm \pm %10
Power consumption	90 W
Color	Neutral White
Color temperature*	4000 K, Different color temperature optional
color rendering	CRI > 70
System efficiency	115 lm/W
Beam Angle	Asymmetrical
Optical system	PMMA Lenses optics
System life	>100.000 h at 25°
Operating temperature	-40° - +50° C
Enclosure rating, Protection class	IP66, Protection class I
Dimmable	Optional Auto dimming, PLC or HNS (half-night switching)

Electrical characteristics	
Mains voltage / frequency	220 ~ 240VAC / 50 ~ 60Hz
Mode of operation	Constant Current
Power factor	PF > 0,9
Maintenance factor	0,89
Certifications	ENEC 10, VDE Pending

Mechanical characteristics	
Dimensions (LxWxH)	730 x 300 x 138 mm
Housing / Surface	Diecast aluminum / powder coating
Impact resistance (IK)	IK08, 4mm safety glass
Weight	11 kg



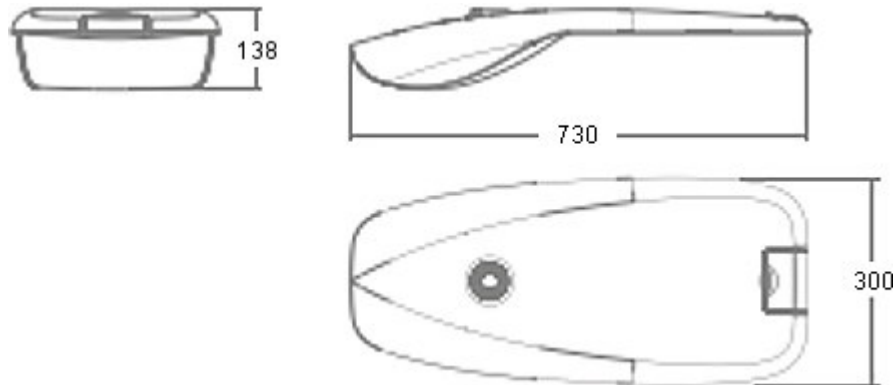
Friedhelm TRAPP GmbH

Ostring 15 - 63533 Mainhausen - Zentrale: 06182/9294-5 - Fax: 06182/9294-69 - Mail: trapp@f-trapp.de

www.f-trapp.de

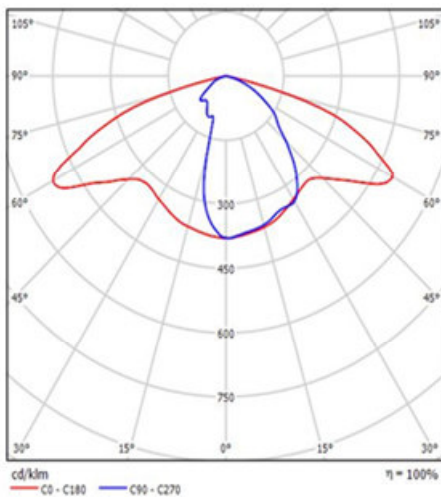
TTL Sardes M3S

Dimensions



Photometric data

Light distribution V1 - Standard



Es stehen unterschiedliche optische Module für die Straßenleuchten zur Verfügung, um die optimale Lichtverteilung zu gewährleisten. Anbei typische Straßenoptiken. Andere Optiken für erweiterte Anforderungen möglich!

Light distribution V2

Light distribution V3

Light distribution V4

Light distribution V5

